

**H.K.E.SOCIETY'S**  
**B.V.BHOOMARADDI ARTS,SCIENCE AND COMMERECE DEGREE COLLEGE BIDAR**  
**Department of Electronics**  
**subject: SEC2 Electronics Projects**

List of the projects constructed by the Students in 2021-2022

Sl no	Register No	Name	Group	Project
1	S2062244	Pramod Rajkumar	I	Three Digit Counter
2	S2062251	Md Surfraj		
3	S2062266	Ajaykumar s		
4	S2062273	Seenu Nagshetty		
5	S2062275	Madhukar p		
6	S2062305	Rahul M		
7	S2062306	Vaishnavi s	II	Automatic Street Light
8	S2062307	Sabastin Mallikarjun		
9	S2062322	Pradeep H		
10	S2062368	Sachin B		
11	S2062380	Haridev V	III	Water Level Indicator
12	S2062390	Akash K		
13	S2062392	Ajay A		
14	S2062393	Sachidanand M		
15	S2062398	Md Altaf	IV	Three digit Counter
16	S2062401	Ajay N		
17	S2062415	Quazi Wasiq Ali		
18	S2062423	Md Amzad		

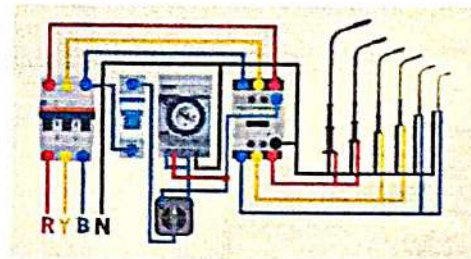
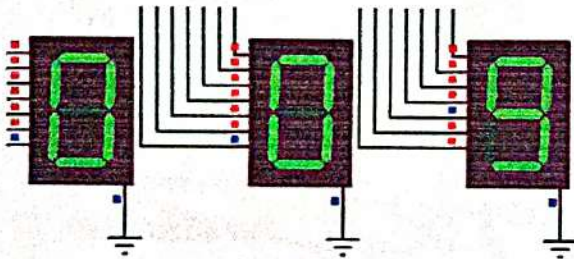
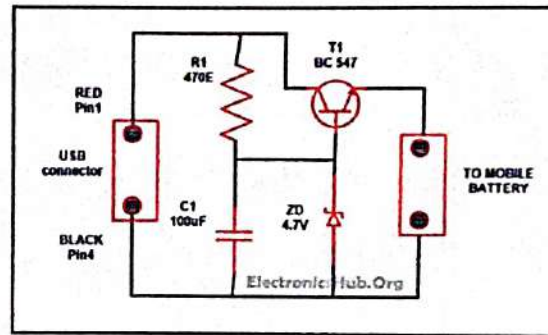
**HKES Society's  
B.V.BHOOMARADDI ARTS SCIENCE &  
COMMERCE DEGREE COLLEGE  
BIDAR 585403**

*Department of Electronics*

Year 2021-2022

Electronics Students of class B.Sc. VI semester have done the project work on following Topics .

- Portable Mobile Charger
- Automatic Street Light
- Water Level Indicator
- Three Digit Counter





HKES Society's  
B.V. BHOOMARADDI ARTS SCIENCE  
& COMMERCE DEGREE COLLEGE



BIDAR585403

NAAC Accredited **A**

Department of Electronics

**CERTIFICATE**

This is to certify that students of class B.Sc. VI semester have successfully completed the project work on "**THREE DIGIT COUNTER**" in partial fulfillment of the requirement for the award of B.Sc. Degree in electronics of Gulbarga University, Kalaburgi during the academic year 2021-2022.

Submitted by

1. Pramod Rajkumar
2. Md Surfaraj
3. Ajaykumar S
4. Seenu Nagshetty
5. Madhukar p

Register no

- S2062244
- S2062251
- S2062266
- S2062273
- S2062275

  
GUIDE

  
HOD

  
PRINCIPAL

Examinars:1

  
2 



HKES Society's  
B.V.BHOOMARADDI ARTS SCIENCE  
& COMMERCE DEGREE COLLEGE



BIDAR585403

NAAC Accredited A

Department of Electronics

CERTIFICATE

This is to certify that students of class B.Sc. VI semester have successfully completed the project work on "AUTOMATIC STREET LIGHT" in partial fulfillment of the requirement for the award of B.Sc Degree in electronics of Gulbarga University, Kalaburgi during the academic year 2021-2022.

Submitted by

1. Rahul M
2. Vaishnavi S
3. Sabastin Mallikarjun
4. Pradeep H
5. Sachin B

Register no

- S2062305
- S2062306
- S2062307
- S2062322
- S2062368

GUIDE

HOD

PRINCIPAL

Examiners:1

2



HKES Society's

B.V. BHOOMARADDI ARTS SCIENCE  
& COMMERCE DEGREE COLLEGE



BIDAR 585403

NAAC Accredited **A**

*Department of Electronics*

**CERTIFICATE**

This is to certify that students of class B.Sc. VI semester have successfully completed the project work on "**WATER LEVEL INDICATOR**" in partial fulfillment of the requirement for the award of B.Sc Degree in electronics of Gulbarga University, Gulbarga during the academic year 2021-2022

Submitted by

1. Haridev V
2. Akash K
3. Ajay A
4. Sachidnand M

Register no

- S2062380
- S2062390
- S2062392
- S2062393

GUIDE

HOD

PRINCIPAL

Examiners: 1

2



HKES Society's  
B.V. BHOOMARADDI ARTS SCIENCE  
& COMMERCE DEGREE COLLEGE



BIDAR 585403

NAAC Accredited **A**

Department of Electronics

**CERTIFICATE**


This is to certify that students of class B.Sc. VI semester have successfully completed the project work on "**THREE DIGIT COUNTER**" in partial fulfillment of the requirement for the award of B.Sc Degree in electronics of Gulbarga University, Kalaburgi during the academic year 2021-2022.

Submitted by

1. Md Altaf
2. Ajay N
3. Quazi Wasiq Ali
4. Md Amzad

Register no

- S2062398
- S2062401
- S2062415
- S2062423

  
GUIDE

  
HOD

  
PRINCIPAL

Examiners: 1



2

